



INSTRUCTION BULLETIN

No. 9006173
Machine: S30, S30XP,
S30X4
Published: 12-2008
Rev. 00

NOTE: DO NOT DISCARD the Parts List from the Instruction Bulletin. Place the Parts List in the appropriate place in the machine manual for future reference. Retaining the Parts List will make it easier to reorder individual parts and will save the cost of ordering an entire kit.

NOTE: Numbers in parenthesis () are reference numbers for parts listed in Bill of Materials.

Installation instructions for **kit number 9004815**

SYNOPSIS:

This kit contains the parts needed to replace the access door latch on S30, S30XP, and S30X4 machines.

Please follow step-by-step instructions.

SPECIAL TOOLS / CONSIDERATIONS: NONE

(Estimated time to complete: 1 hour)

PREPARATION:

1. Park the machine on a clean level surface, turn off the machine, remove the key, and set the parking brake.

FOR SAFETY: Before leaving or servicing machine, stop on level surface, turn off machine, and remove key.

INSTALLATION:

1. Remove the access door from the hopper. Set the hardware holding the door to the hinge aside.
2. Remove the old latch assembly from the door and discard the latch assembly.
3. If necessary, alter the dimension of the slot in the front the access door. Refer to Fig. 6 for the dimensions for the slot.
4. **OPTIONAL:** Complete this step only if cutting an access hole into the back of the hopper access door. Remove the foam seal from the back of the hopper access door. Clean all remnants of the foam seal from the door.
5. **OPTIONAL:** Cut a hole into the back of the access door. Refer to Fig. 6 for the dimension and location for the hole. This hole is necessary for installing the hex nut (6) to secure the latch assembly inside the hopper access door.

6. Slide the spring (2) onto the latch (1) and slide the latch into the door. Refer to Fig. 1 and Fig. 5.



FIG. 1

7. Align the hole in the latch (1) in the center of the notch and place a spacer (3) and washer (4) onto the door/latch. Refer to Fig. 2 and Fig. 5.

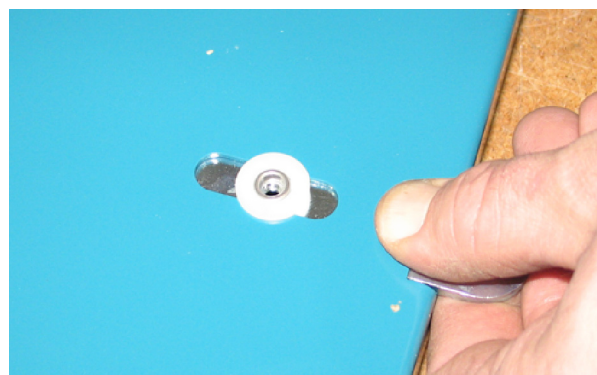


FIG. 2

8. Thread the knob (5) into the latch. Refer to Fig. 3 and Fig. 5.

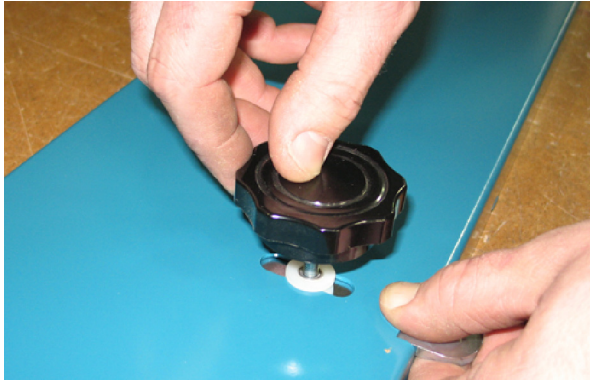


FIG. 3

9. Install the hex nut (6) onto the knob (5). Refer to Fig. 4 and Fig. 5.

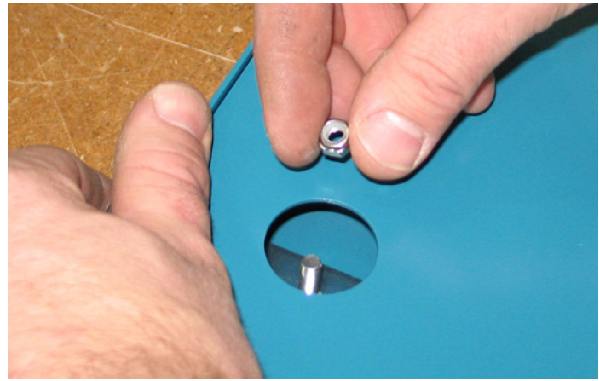


FIG. 4

10. Install the foam seal (7) onto the back of the door. Refer to Fig. 5.

11. Reinstall the door onto the hinge.

NOTE: Order a new hopper access door (part number 1047420) if door cannot be reworked or is damaged.

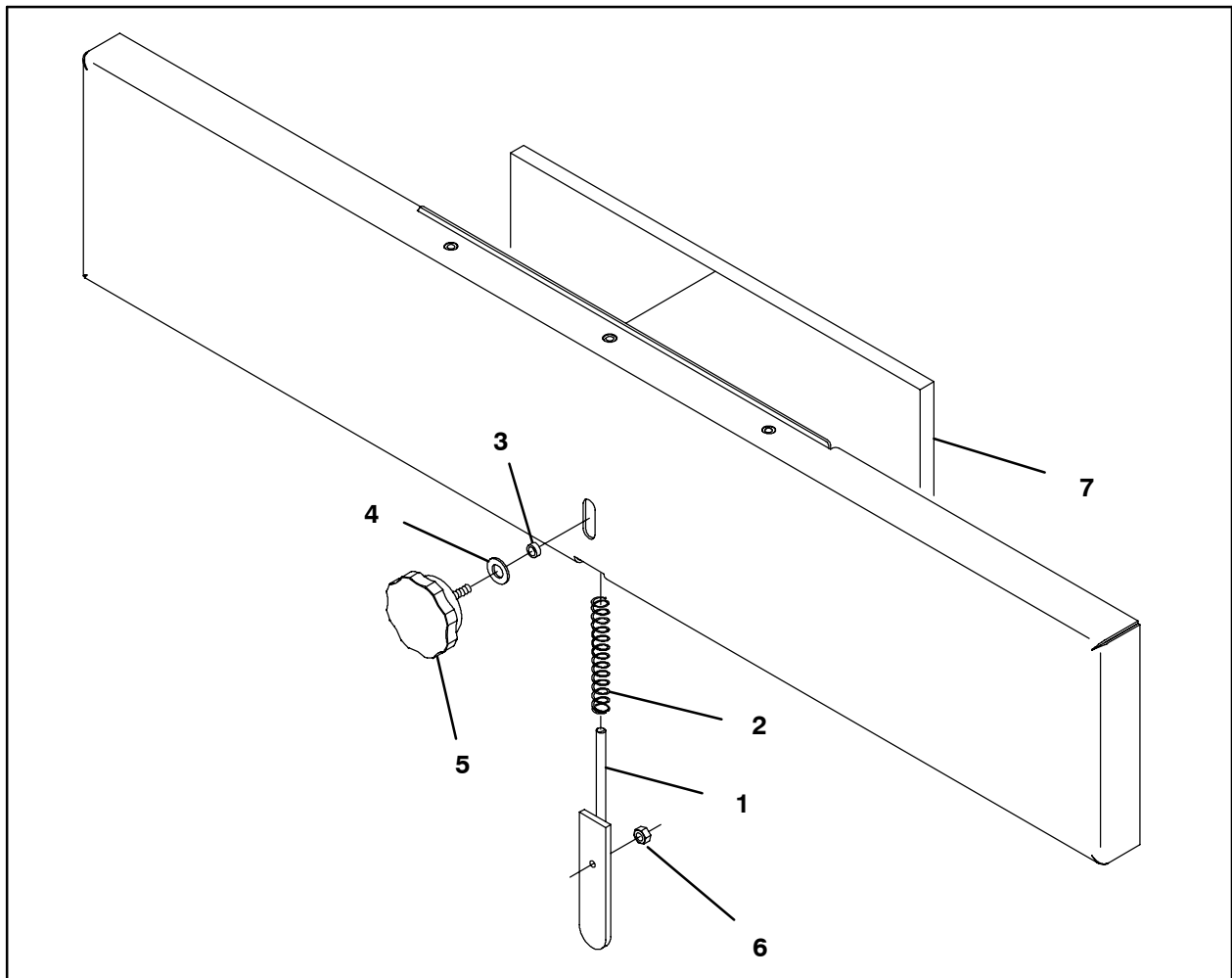


FIG. 5

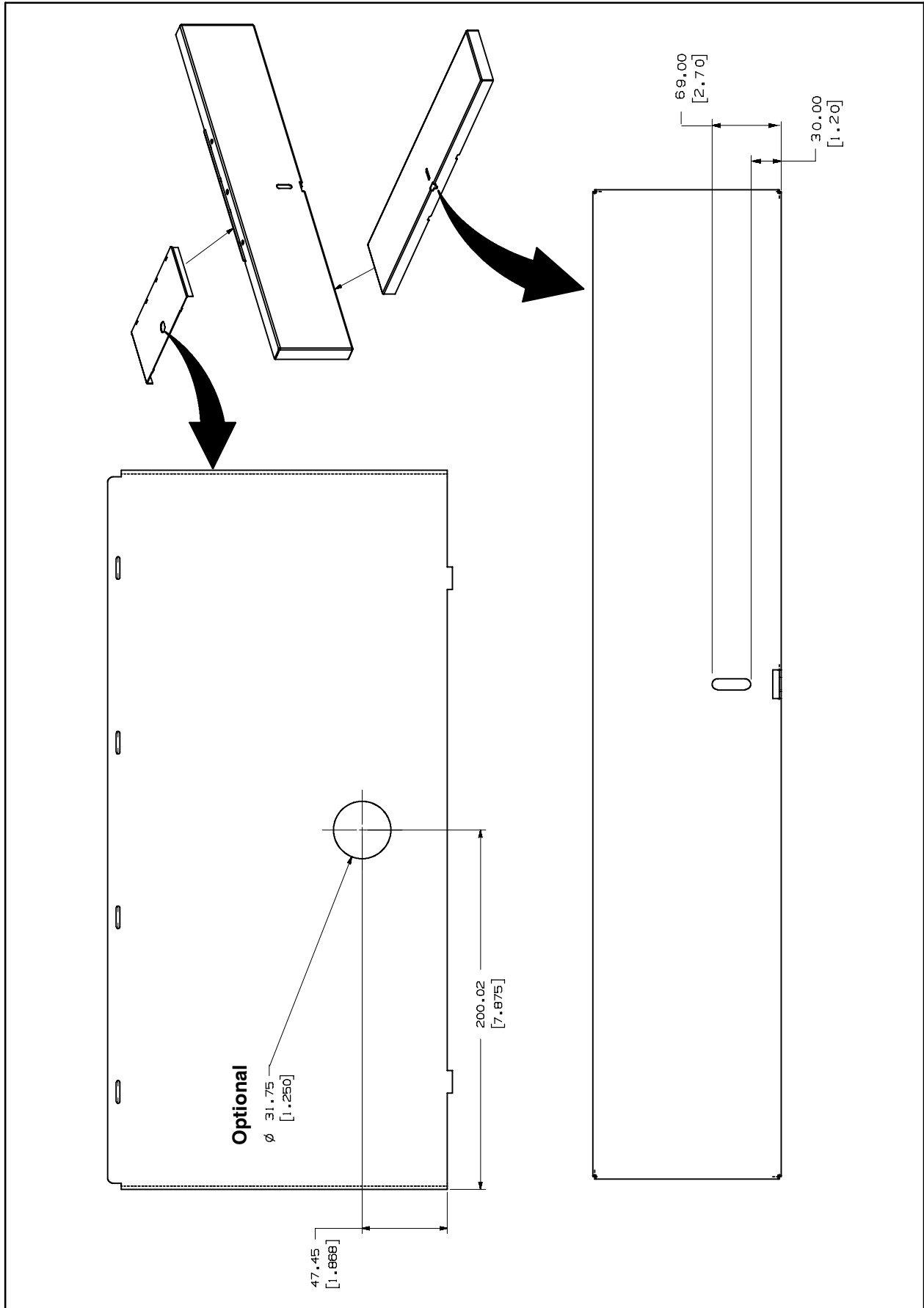


FIG. 6

Bill of Materials for Latch Kit, Door, Access, CI [S30] - 9004815

	Ref.	Tennant Part No.	Description	Qty.
▽		9004815	Latch Kit, Door, Access, CI [S30]	1
▲	1	1047418	Latch Wldt, Bolt	1
▲	2	626081	Spring, Cmpr, 0.48OD .04Wir 03.5L	1
▲	3	80491	Sleeve, P/M, 0.25B 0.38D 0.2L [430SS]	1
▲	4	43611	Washer, Flat, 0.39B 0.75D .06, Nyl	1
▲	5	1047543	Knob, Rnd, 2.38D 0.88L M6 X 1.0, Plstc	1
▲	6	08708	Nut, Hex, Lock, M6 X 1.00, NI	1
▲	7	1035660	Seal, Foam, .50 7.47W 15.47L, Ure, Adh	1

TENNANT COMPANY
P. O. Box 1452
Minneapolis, MN 55440-1452